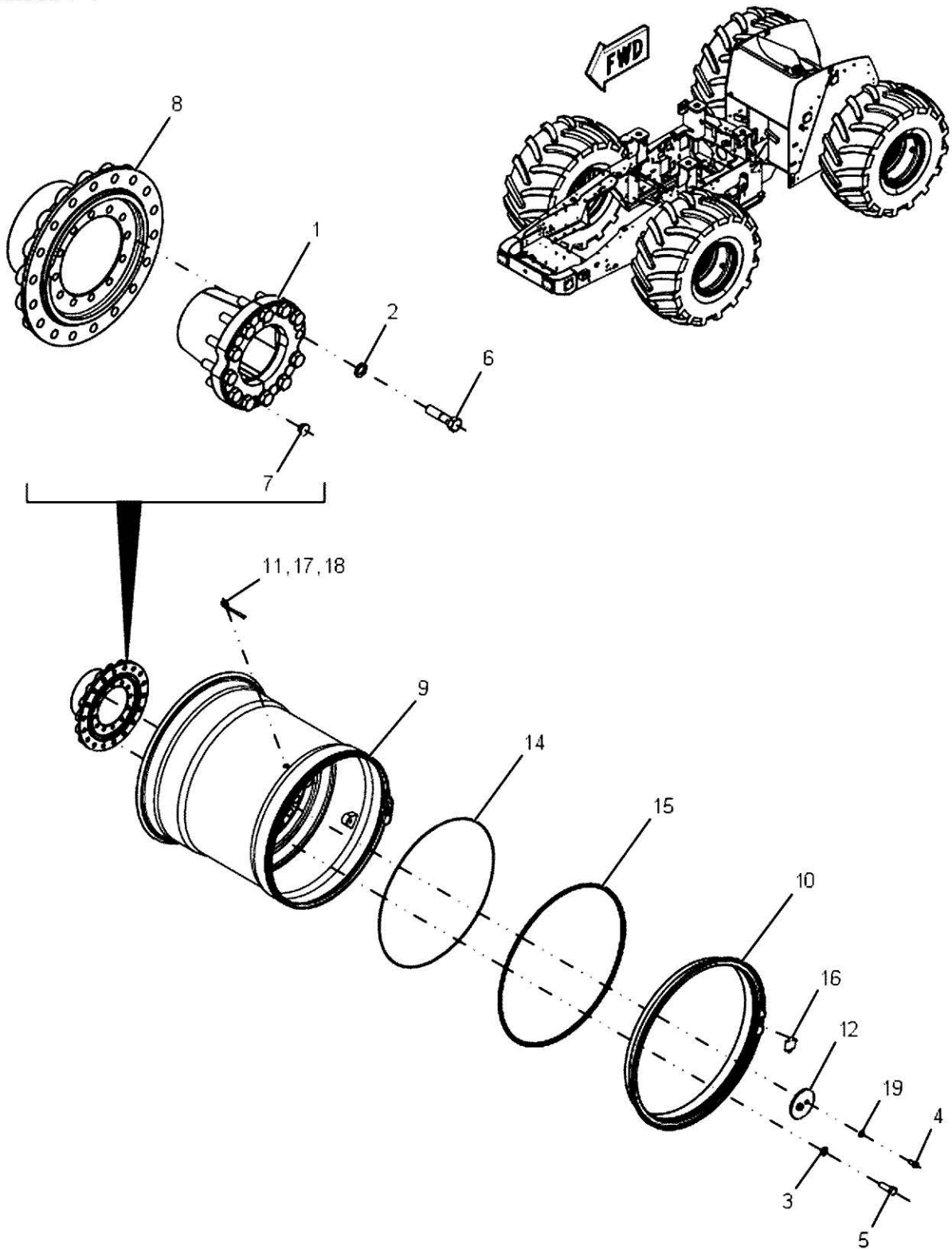

512280D1 - HUB AND WHEELS - WITH SINGLE TIRE OPTION	14-0001
525321D1 - HUB AND WHEELS - WITH SINGLE TIRE OPTION	14-0002
578352D1 - HUB AND WHEELS - WITH DUALS OPTION	14-0003
511267D1 - HUB AND WHEELS - WITH DUALS OPTION	14-0004
511274D1 - HUB AND WHEELS - WITH DUALS OPTION	14-0005
511287D1 - HUB AND WHEELS - WITH DUALS OPTION	14-0006
511327D1 - HUB AND WHEELS - WITH DUALS OPTION	14-0007
511231D1 - HUB AND WHEELS - WITH TRIPLES OPTION	14-0008
511238D1 - HUB AND WHEELS - WITH TRIPLES OPTION	14-0009
511248D1 - HUB AND WHEELS - WITH TRIPLES OPTION	14-0010
509094D1 - WHEEL COUNTERWEIGHT GROUP, SPECIAL APPLICATION	14-0011
599471D1 - WHEEL AND HUB ASSEMBLY	14-0012
511222D1 - HUB GROUP	14-0013
599472D1 - WHEEL ASSEMBLY SERIAL NUMBER BREAK C0965CGNTF1004	14-0014
599473D1 - WHEEL ASSEMBLY SERIAL NUMBER BREAK C0965CGNTF1004	14-0015

512280D1-1-

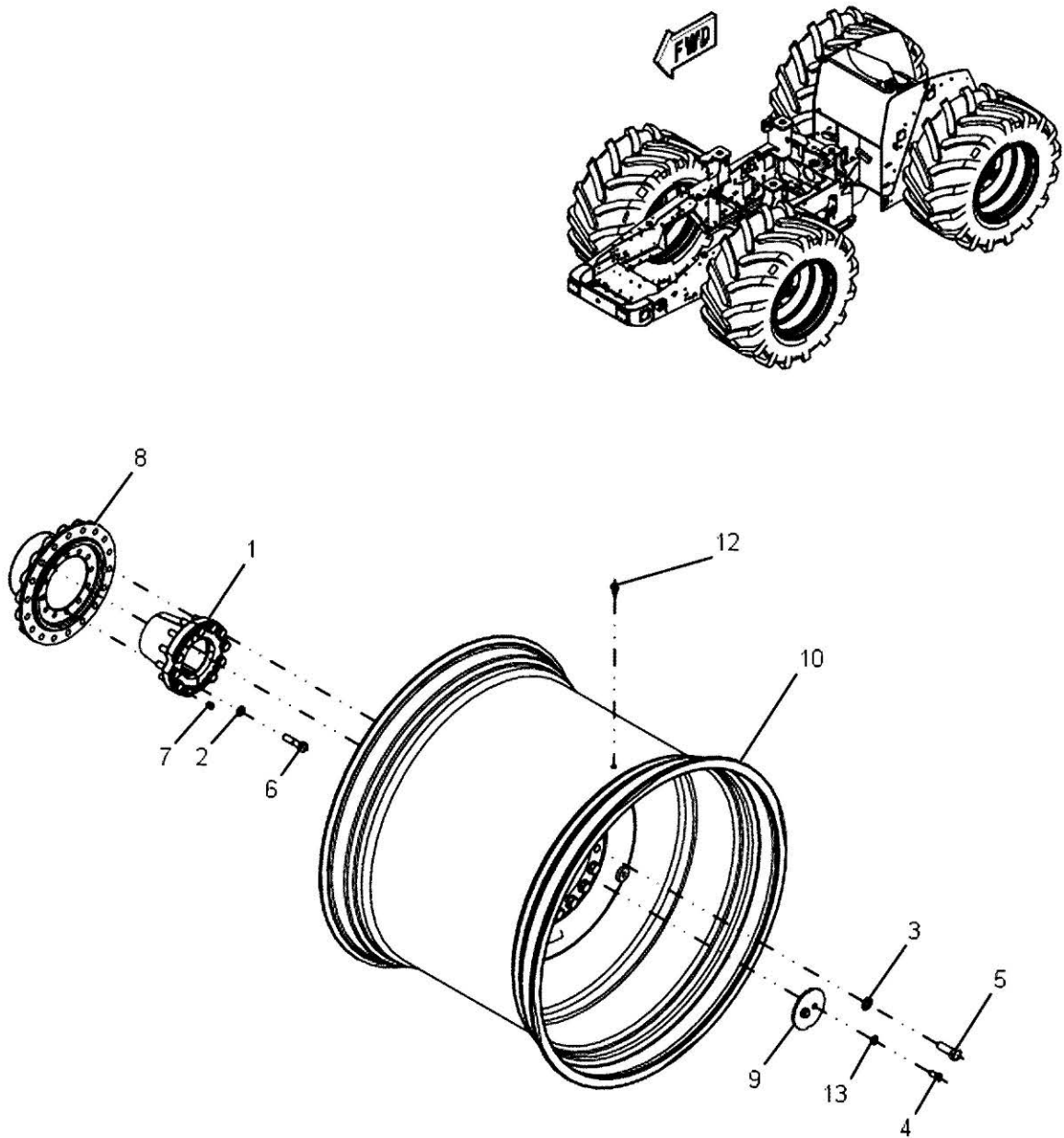


512280D1 - HUB AND WHEELS - WITH SINGLE TIRE OPTION

ITEM	PART NUMBER	QTY	DESCRIPTION COMMENTS	TECHNICAL SPECIFICATION
1	184-4353	4	COLLET	
2	400080X1	48	FLAT WASHER	22MM X 35MM X 3.5MM
3	400081X1	72	FLAT WASHER	26MM X 44MM X 4MM
4	400088X1	8	HEXAGONAL HEAD BOLT	M16 X 2 X 30MM, CL9
5	400197X1	72	HEXAGONAL HEAD BOLT	M24 X 3 X 70MM, CL10.9
6	400272X1	48	HEXAGONAL HEAD BOLT	M20 X 2.5 X 80MM, CL12.9
7	402150X1	40	PLASTIC PLUG	
8	503430D1	4	CONE	
9	512280D1	4	RIM 31W X 32 [A]	31W X 32
10	512506D1	4	SUPPORT	
11	512507D1	4	VALVE STEM	
12	515580D1	4	END PLATE	
14	AG516667	4	O-RING	29.8IN ID
15	AG516668	4	LOCKING RING	
16	AG523504	4	DRIVER KEY	
17	AG600539	4	ADAPTER ATTACHED TO 512507D1-VALVE STEM	
18	AG609521	4	VALVE COVER ATTACHED TO 512507D1--VALVE STEM	
19	CH8T-4122	8	FLAT WASHER	17MM X 32MM X 3.5MM

[A] 520/85R42 R-1W TIRES

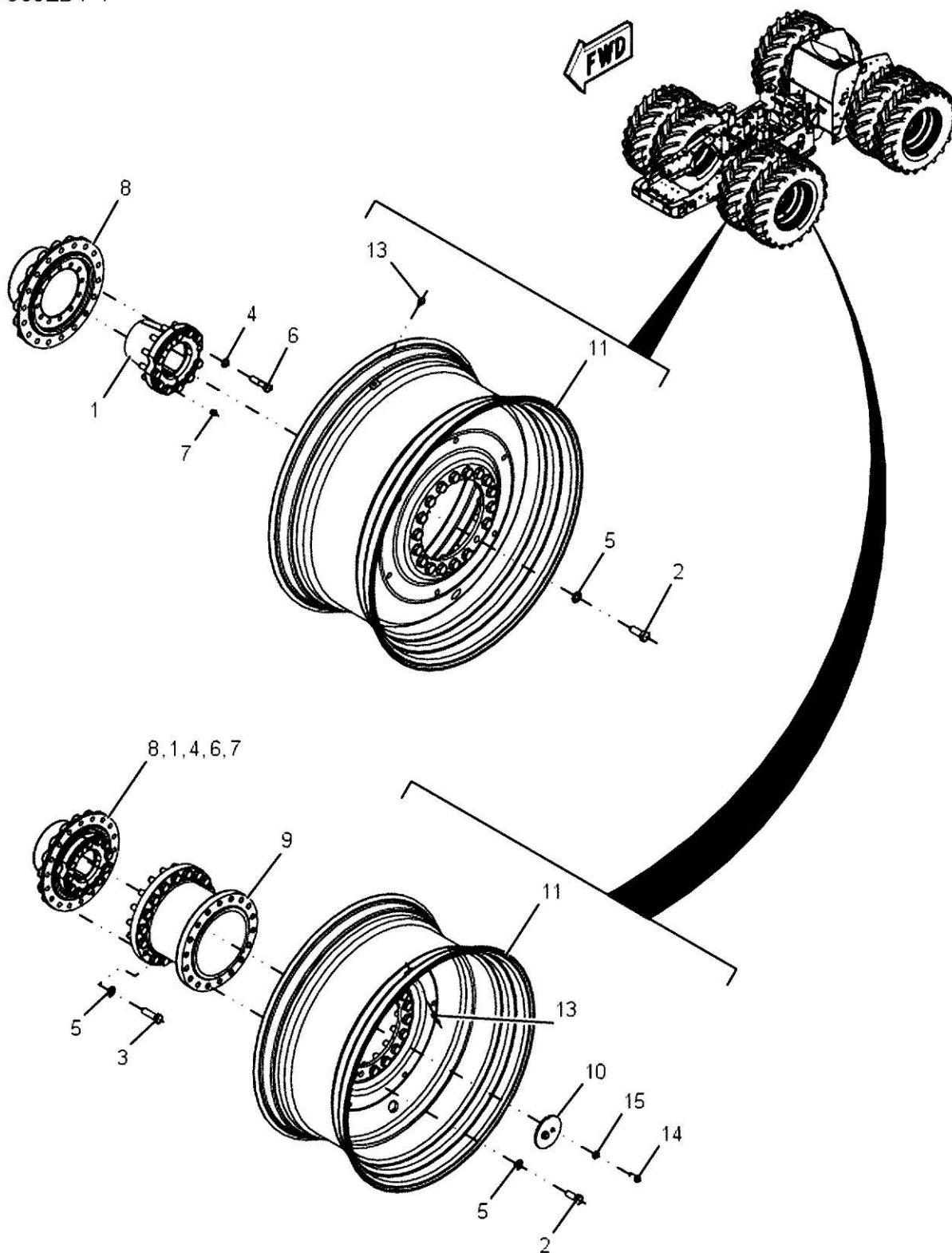
525321D1-1-



525321D1 - HUB AND WHEELS - WITH SINGLE TIRE OPTION

ITEM	PART NUMBER	QTY	DESCRIPTION COMMENTS	TECHNICAL SPECIFICATION
1	184-4353	4	COLLET	
2	400080X1	48	FLAT WASHER	22MM X 35MM X 3.5MM
3	400081X1	72	FLAT WASHER	26MM X 44MM X 4MM
4	400088X1	8	HEXAGONAL HEAD BOLT	M16 X 2 X 30MM, CL9
5	400197X1	72	HEXAGONAL HEAD BOLT	M24 X 3 X 70MM, CL10.9
6	400272X1	48	HEXAGONAL HEAD BOLT	M20 X 2.5 X 80MM, CL12.9
7	402150X1	40	PLASTIC PLUG	
8	503430D1	4	CONE	
9	515580D1	4	END PLATE	
10	525321D1	4	RIM 46 X LSW38 [A]	46 X LSW38
12	AG517766	4	VALVE STEM VALVE STEM, TIRE	AIR
13	CH8T-4122	8	FLAT WASHER [A] 1100/45R46 TIRES	17MM X 32MM X 3.5MM

578352D1-1-



578352D1 - HUB AND WHEELS - WITH DUALS OPTION

ITEM	PART NUMBER	QTY	DESCRIPTION COMMENTS	TECHNICAL SPECIFICATION
1	184-4353	8	COLLET	
2	400035X1	144	HEXAGONAL HEAD BOLT	M24 X 3 X 60MM, CL10.9
3	400067X1	72	HEXAGONAL HEAD BOLT	M24 X 3 X 80MM, CL10.9
4	400080X1	96	FLAT WASHER	22MM X 35MM X 3.5MM
5	400081X1	216	FLAT WASHER	26MM X 44MM X 4MM
6	400272X1	96	HEXAGONAL HEAD BOLT	M20 X 2.5 X 80MM, CL12.9
7	402150X1	80	PLASTIC PLUG	
8	503430D1	8	CONE	
9	511195D1	4	SPACER	305MM
10	515580D1	4	END PLATE	
11	578352D1	8	RIM [A]	42XF-DW20B
13	AG517766	8	VALVE STEM	AIR
14	AG518357	8	HEXAGONAL HEAD BOLT	M16 X 2 X 35MM, CL10.9
15	CH8T-4122	8	FLAT WASHER	17MM X 32MM X 3.5MM

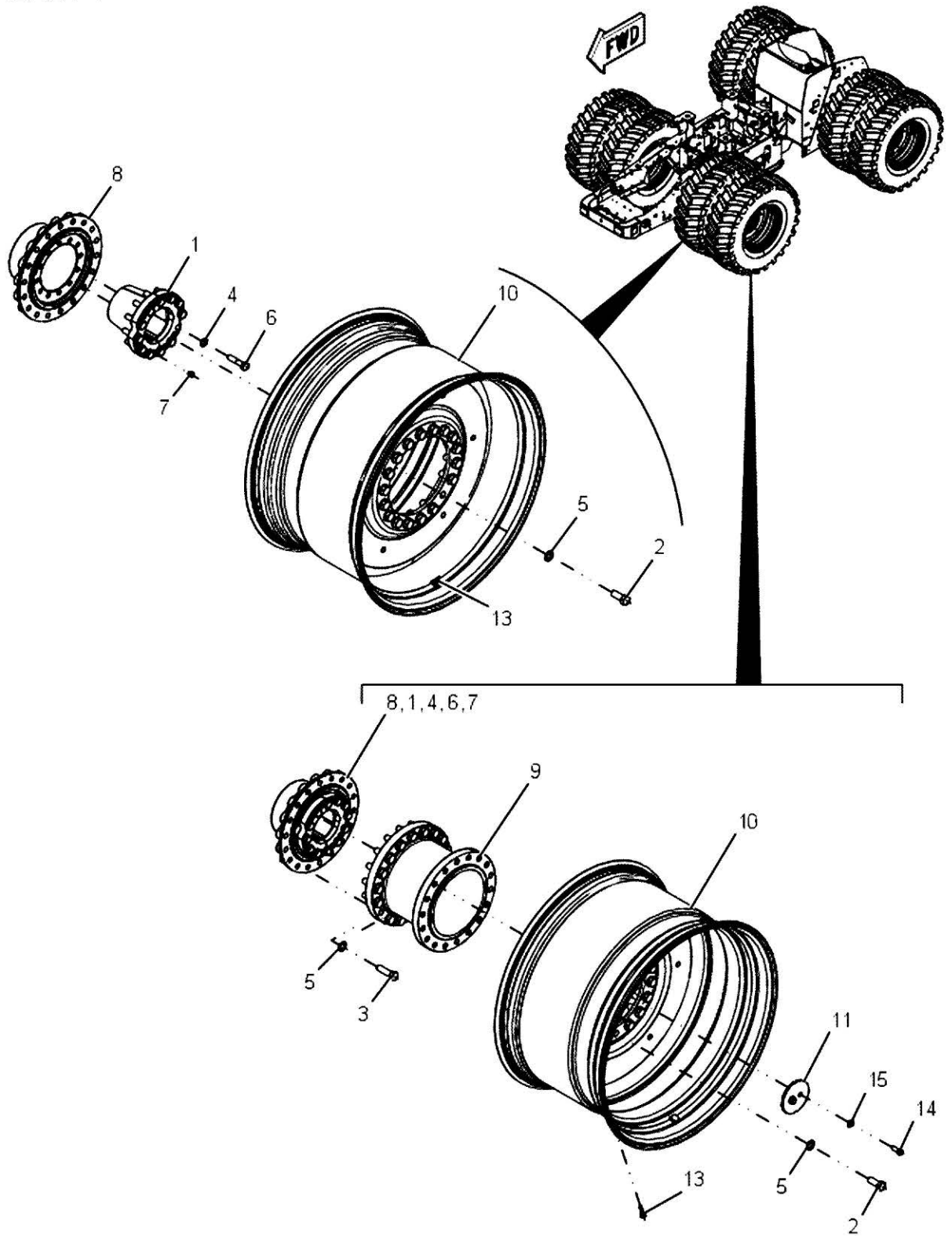
[A] 620/70R42 TIRES

511267D1 - HUB AND WHEELS - WITH DUALS OPTION

ITEM	PART NUMBER	QTY	DESCRIPTION COMMENTS	TECHNICAL SPECIFICATION
1	184-4353	8	COLLET	
2	400035X1	144	HEXAGONAL HEAD BOLT	M24 X 3 X 60MM, CL10.9
3	400067X1	72	HEXAGONAL HEAD BOLT	M24 X 3 X 80MM, CL10.9
4	400080X1	96	FLAT WASHER	22MM X 35MM X 3.5MM
5	400081X1	216	FLAT WASHER	26MM X 44MM X 4MM
6	400272X1	96	HEXAGONAL HEAD BOLT	M20 X 2.5 X 80MM, CL12.9
7	402150X1	80	PLASTIC PLUG	
8	503430D1	8	CONE	
9	511195D1	4	SPACER	305MM
10	511267D1	8	RIM 20W X 46 [A]	20W X 46
11	515580D1	4	END PLATE	
13	AG517766	8	VALVE STEM	AIR
14	AG518357	8	HEXAGONAL HEAD BOLT	M16 X 2 X 35MM, CL10.9
15	CH8T-4122	8	FLAT WASHER	17MM X 32MM X 3.5MM

[A] 620/70R46 TIRES

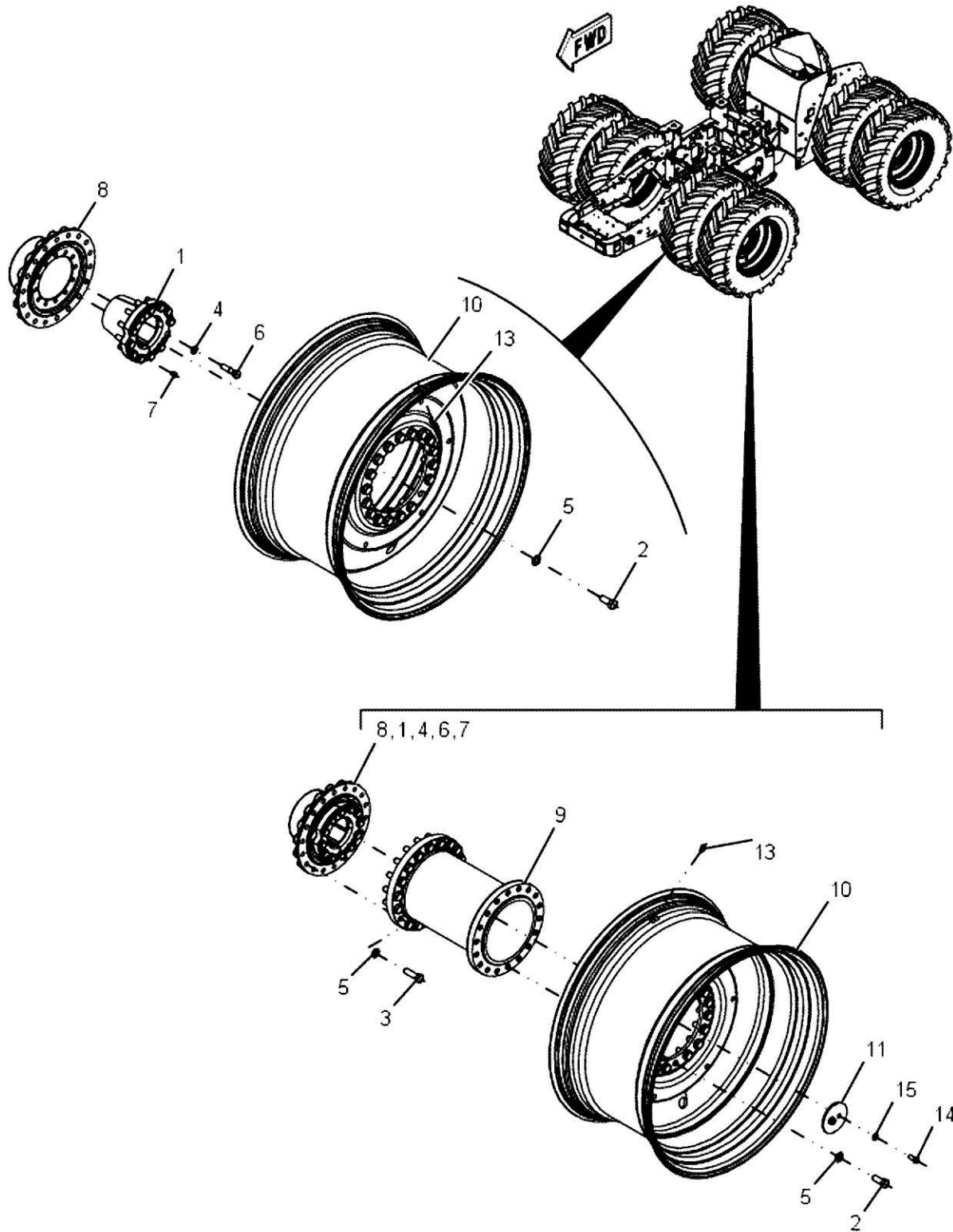
511274D1-1-



511274D1 - HUB AND WHEELS - WITH DUALS OPTION

ITEM	PART NUMBER	QTY	DESCRIPTION COMMENTS	TECHNICAL SPECIFICATION
1	184-4353	8	COLLET	
2	400035X1	144	HEXAGONAL HEAD BOLT	M24 X 3 X 60MM, CL10.9
3	400067X1	72	HEXAGONAL HEAD BOLT	M24 X 3 X 80MM, CL10.9
4	400080X1	96	FLAT WASHER	22MM X 35MM X 3.5MM
5	400081X1	216	FLAT WASHER	26MM X 44MM X 4MM
6	400272X1	96	HEXAGONAL HEAD BOLT	M20 X 2.5 X 80MM, CL12.9
7	402150X1	80	PLASTIC PLUG	
8	503430D1	8	CONE	
9	511195D1	4	SPACER	305MM
10	511274D1	8	RIM 23W X 38 [A] [B]	23W X 38
11	515580D1	4	END PLATE	
13	AG517766	8	VALVE STEM VALVE STEM, TIRE	AIR
14	AG518357	8	HEXAGONAL HEAD BOLT	M16 X 2 X 35MM, CL10.9
15	CH8T-4122	8	FLAT WASHER	17MM X 32MM X 3.5MM
			[A] 650/85R38 TIRES	
			[B] 710/70R38 TIRES	

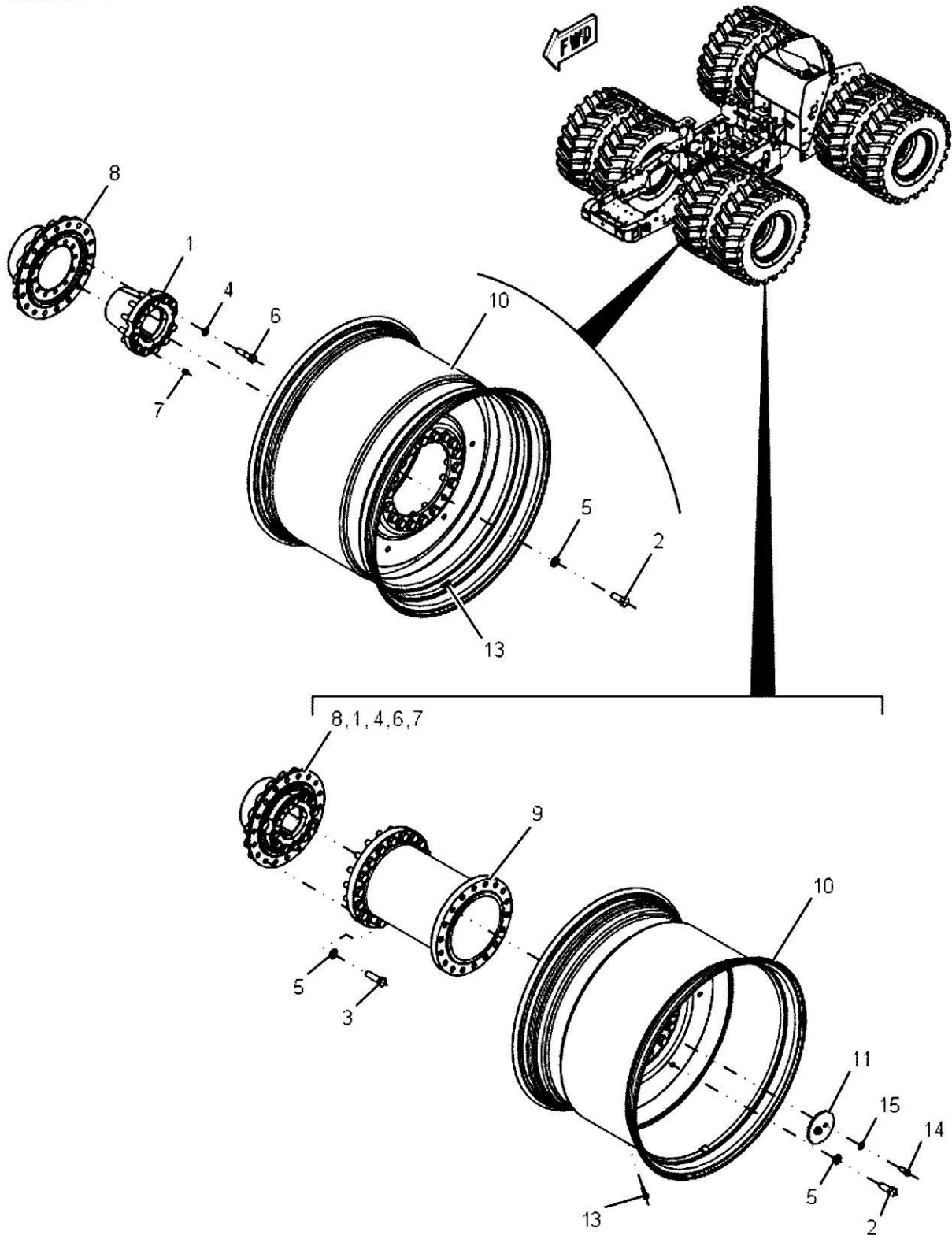
511287D1-1-



511287D1 - HUB AND WHEELS - WITH DUALS OPTION

ITEM	PART NUMBER	QTY	DESCRIPTION COMMENTS	TECHNICAL SPECIFICATION
1	184-4353	8	COLLET	
2	400035X1	144	HEXAGONAL HEAD BOLT	M24 X 3 X 60MM, CL10.9
3	400067X1	72	HEXAGONAL HEAD BOLT	M24 X 3 X 80MM, CL10.9
4	400080X1	96	FLAT WASHER	22MM X 35MM X 3.5MM
5	400081X1	216	FLAT WASHER	26MM X 44MM X 4MM
6	400272X1	96	HEXAGONAL HEAD BOLT	M20 X 2.5 X 80MM, CL12.9
7	402150X1	80	PLASTIC PLUG	
8	503430D1	8	CONE	
9	509392D1	4	SPACER	536 MM
10	511287D1	8	RIM 23W X 42 [A]	23W X 42
11	515580D1	4	END PLATE	
13	AG517766	8	VALVE STEM	AIR
14	AG518357	8	HEXAGONAL HEAD BOLT	M16 X 2 X 35MM, CL10.9
15	CH8T-4122	8	FLAT WASHER	17MM X 32MM X 3.5MM
			[A] 710/70R42 TIRES	

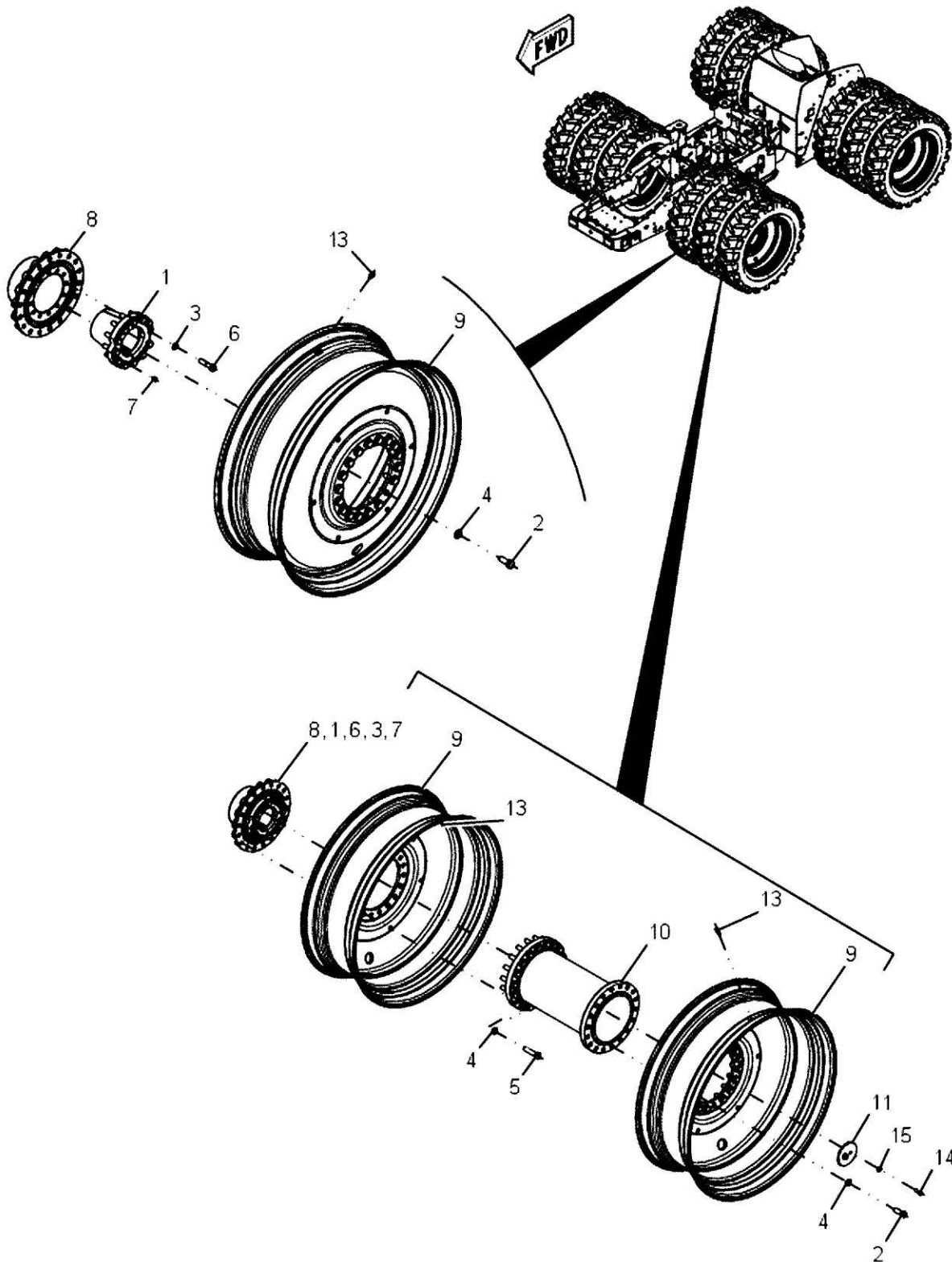
511327D1-1-



511327D1 - HUB AND WHEELS - WITH DUALS OPTION

ITEM	PART NUMBER	QTY	DESCRIPTION COMMENTS	TECHNICAL SPECIFICATION
1	184-4353	8	COLLET	
2	400035X1	144	HEXAGONAL HEAD BOLT	M24 X 3 X 60MM, CL10.9
3	400067X1	72	HEXAGONAL HEAD BOLT	M24 X 3 X 80MM, CL10.9
4	400080X1	96	FLAT WASHER	22MM X 35MM X 3.5MM
5	400081X1	216	FLAT WASHER	26MM X 44MM X 4MM
6	400272X1	96	HEXAGONAL HEAD BOLT	M20 X 2.5 X 80MM, CL12.9
7	402150X1	80	PLASTIC PLUG	
8	503430D1	8	CONE	
9	509392D1	4	SPACER	536 MM
10	511327D1	8	RIM 27W X 38 [A]	27W X 38
11	515580D1	4	END PLATE	
13	AG517766	8	VALVE STEM VALVE STEM, TIRES	AIR
14	AG518357	8	HEXAGONAL HEAD BOLT	M16 X 2 X 35MM, CL10.9
15	CH8T-4122	8	FLAT WASHER [A] 800/70R38 TIRES	17MM X 32MM X 3.5MM

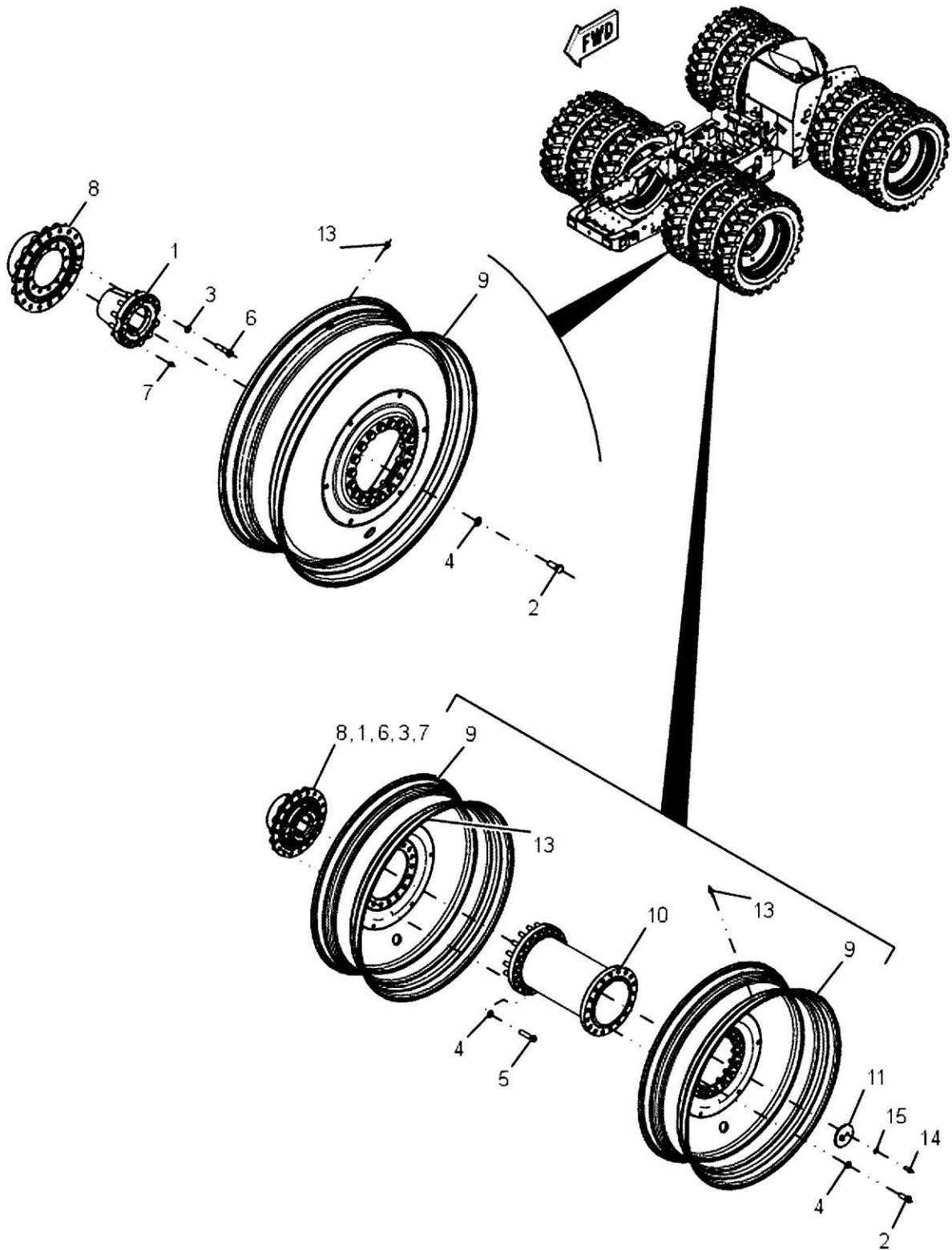
511231D1-1-



511231D1 - HUB AND WHEELS - WITH TRIPLES OPTION

ITEM	PART NUMBER	QTY	DESCRIPTION COMMENTS	TECHNICAL SPECIFICATION
1	184-4353	8	COLLET	
2	400035X1	144	HEXAGONAL HEAD BOLT	M24 X 3 X 60MM, CL10.9
3	400080X1	96	FLAT WASHER	22MM X 35MM X 3.5MM
4	400081X1	216	FLAT WASHER	26MM X 44MM X 4MM
5	400184X1	72	HEXAGONAL HEAD BOLT	M24 X 3 X 100MM, CL10.9
6	400272X1	96	HEXAGONAL HEAD BOLT	M20 X 2.5 X 80MM, CL12.9
7	402150X1	80	PLASTIC PLUG	
8	503430D1	8	CONE	
9	511231D1	12	RIM 16W X 46 [A] [B]	16W X 46
10	511551D1	4	SPACER	650MM
11	515580D1	4	END PLATE	
13	AG517766	12	VALVE STEM	AIR
14	AG518357	8	HEXAGONAL HEAD BOLT	M16 X 2 X 35MM, CL10.9
15	CH8T-4122	8	FLAT WASHER	17MM X 32MM X 3.5MM
			[A] 480/80R46 R-1W TIRES	
			[B] 520/85R46 R-1W TIRES	

511238D1-1-

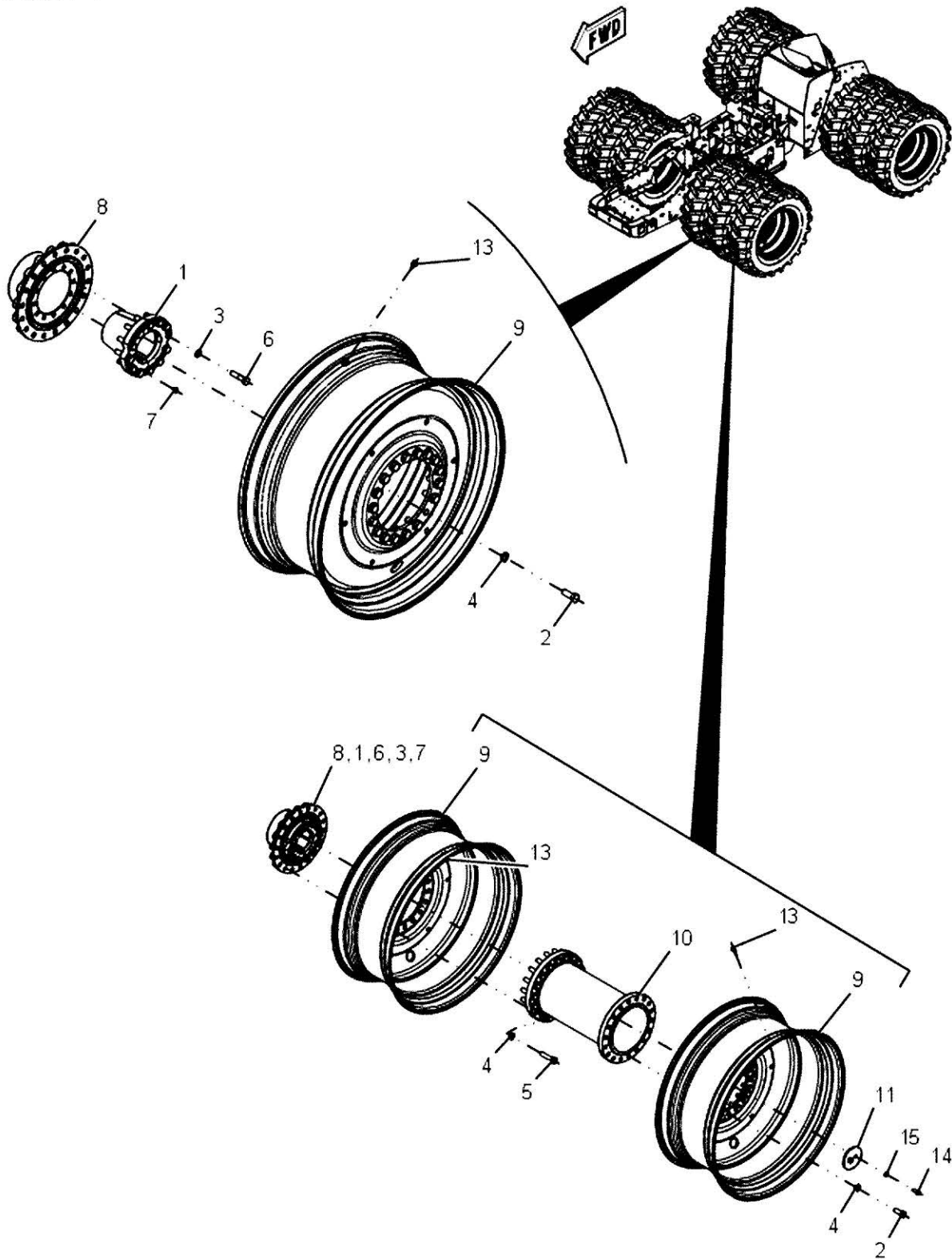


511238D1 - HUB AND WHEELS - WITH TRIPLES OPTION

ITEM	PART NUMBER	QTY	DESCRIPTION COMMENTS	TECHNICAL SPECIFICATION
1	184-4353	8	COLLET	
2	400035X1	144	HEXAGONAL HEAD BOLT	M24 X 3 X 60MM, CL10.9
3	400080X1	96	FLAT WASHER	22MM X 35MM X 3.5MM
4	400081X1	216	FLAT WASHER	26MM X 44MM X 4MM
5	400184X1	72	HEXAGONAL HEAD BOLT	M24 X 3 X 100MM, CL10.9
6	400272X1	96	HEXAGONAL HEAD BOLT	M20 X 2.5 X 80MM, CL12.9
7	402150X1	80	PLASTIC PLUG	
8	503430D1	8	CONE	
9	511238D1	12	RIM 16W X 50 [A]	16W X 50
10	511551D1	4	SPACER	650MM
11	515580D1	4	END PLATE	
13	AG517766	12	VALVE STEM VALVE STEM	AIR
14	AG518357	8	HEXAGONAL HEAD BOLT	M16 X 2 X 35MM, CL10.9
15	CH8T-4122	8	FLAT WASHER	17MM X 32MM X 3.5MM

[A] 480/80R50 R-1W TIRES

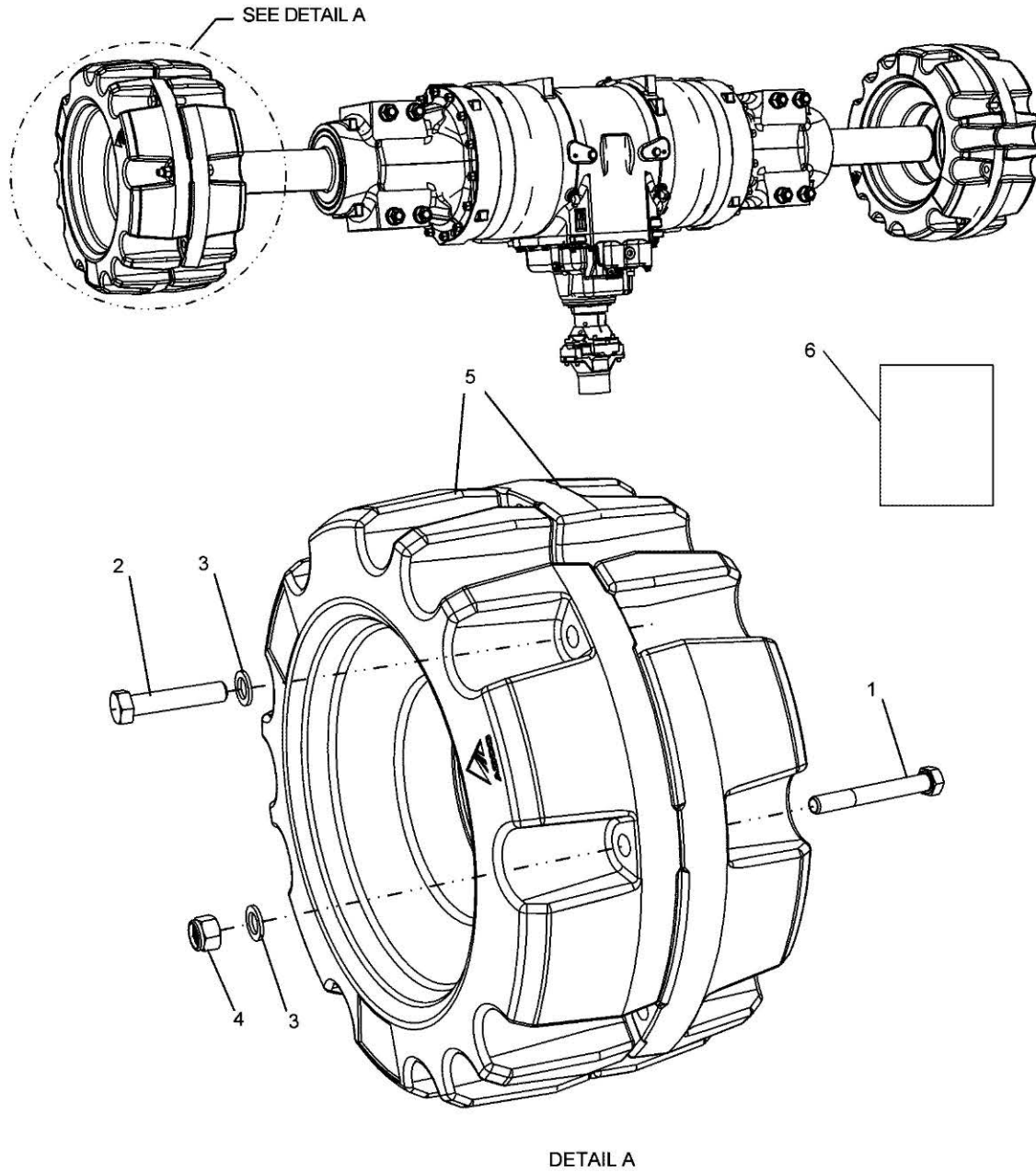
511248D1-1-



511248D1 - HUB AND WHEELS - WITH TRIPLES OPTION

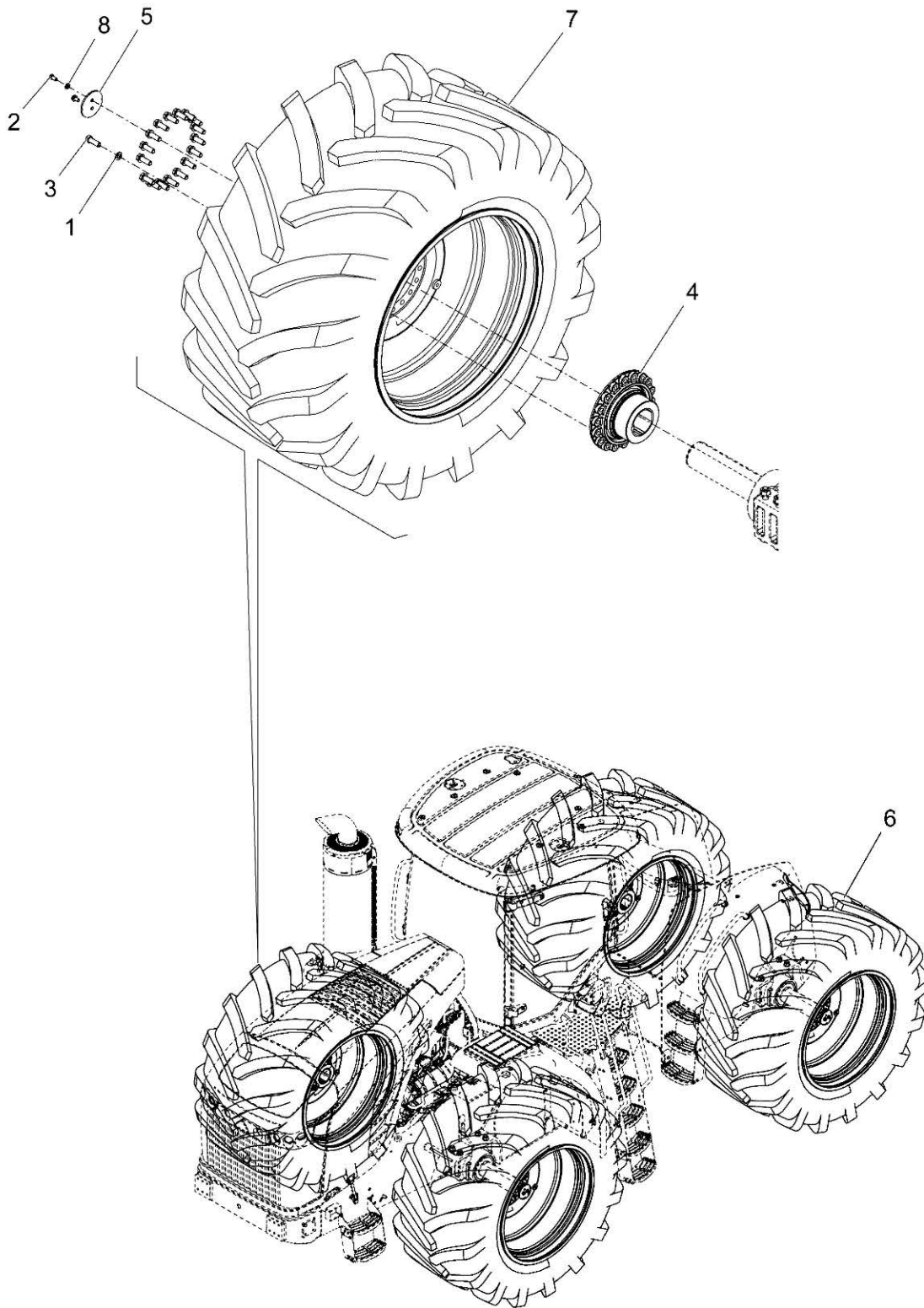
ITEM	PART NUMBER	QTY	DESCRIPTION COMMENTS	TECHNICAL SPECIFICATION
1	184-4353	8	COLLET	
2	400035X1	144	HEXAGONAL HEAD BOLT	M24 X 3 X 60MM, CL10.9
3	400080X1	96	FLAT WASHER	22MM X 35MM X 3.5MM
4	400081X1	216	FLAT WASHER	26MM X 44MM X 4MM
5	400184X1	72	HEXAGONAL HEAD BOLT	M24 X 3 X 100MM, CL10.9
6	400272X1	96	HEXAGONAL HEAD BOLT	M20 X 2.5 X 80MM, CL12.9
7	402150X1	80	PLASTIC PLUG	
8	503430D1	8	CONE	
9	511248D1	12	RIM 18W X 42 R-1W [A]	18W X 42
10	511551D1	4	SPACER	650MM
11	515580D1	4	END PLATE	
13	AG517766	12	VALVE STEM VALVE STEM, TIRE	AIR
14	AG518357	8	HEXAGONAL HEAD BOLT	M16 X 2 X 35MM, CL10.9
15	CH8T-4122	8	FLAT WASHER	17MM X 32MM X 3.5MM
			[A] 520/85R42 R-1W TIRES	

509094D1-04-W629



509094D1 - WHEEL COUNTERWEIGHT GROUP, SPECIAL APPLICATION

ITEM	PART NUMBER	QTY	DESCRIPTION COMMENTS	TECHNICAL SPECIFICATION
1	400026X1	6	HEXAGONAL HEAD BOLT	M20 X 2.5 X 160MM, CL10.9
2	400032X1	12	BOLT	
3	400080X1	18	FLAT WASHER	22MM X 35MM X 3.5MM
4	401700X1	6	HEX FLANGE LOCKNUT	M20
5	512713D1	4	WEIGHT	
6	527676D1	1	INSTRUCTIONS	

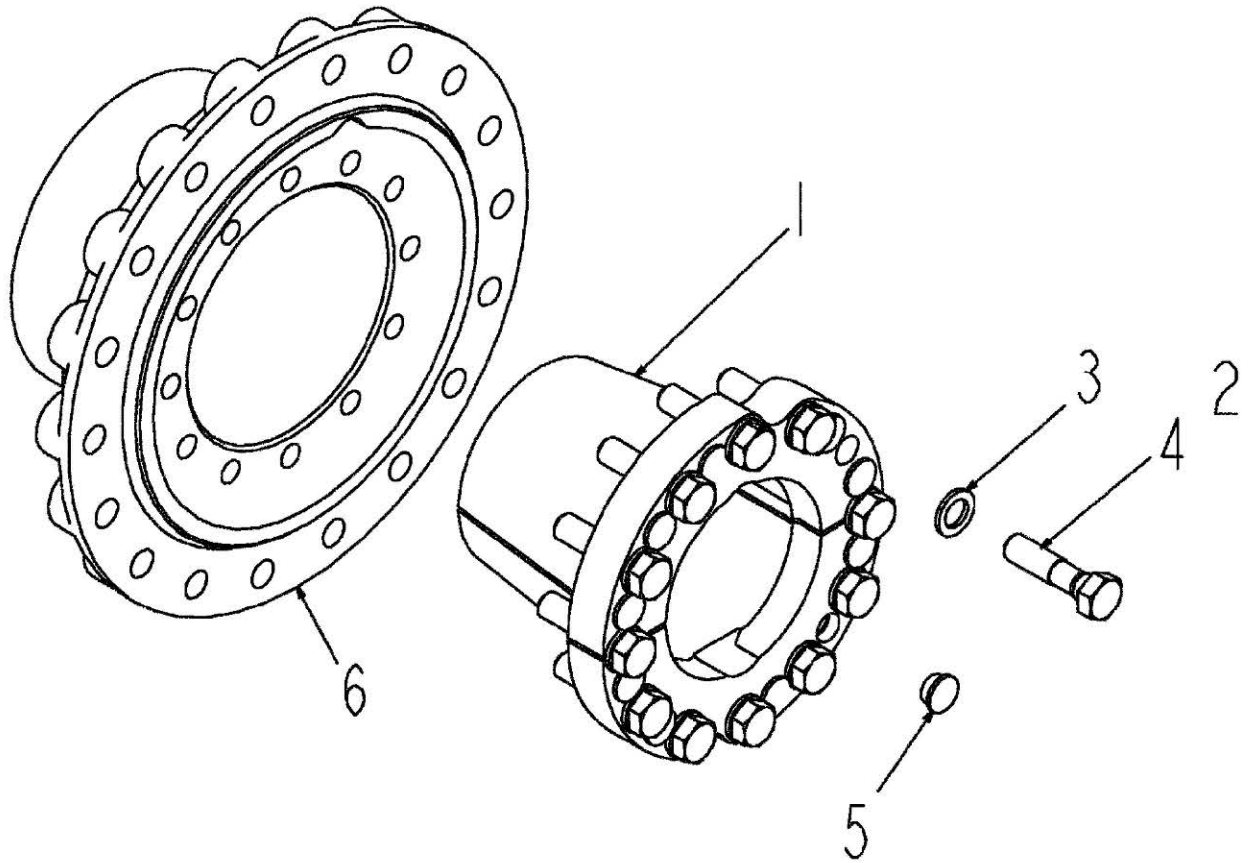


599471D1-J-2

599471D1 - WHEEL AND HUB ASSEMBLY

ITEM	PART NUMBER	QTY	DESCRIPTION COMMENTS	TECHNICAL SPECIFICATION
1	400081X1	72	FLAT WASHER	26MM X 44MM X 4MM
2	400088X1	8	HEXAGONAL HEAD BOLT	M16 X 2 X 30MM, CL9
3	400197X1	72	HEXAGONAL HEAD BOLT	M24 X 3 X 70MM, CL10.9
4	NS	4	NON-SERVICEABLE PART SEE HUB GROUP SEE PAGE 14-0013	
5	515580D1	4	END PLATE	
6	NS	2	NON-SERVICEABLE PART SEE PAGE 14-0014 SEE WHEEL ASSEMBLY	
7	NS	2	NON-SERVICEABLE PART SEE PAGE 14-0015 SEE WHEEL ASSEMBLY	
8	CH8T-4122	8	FLAT WASHER	17MM X 32MM X 3.5MM

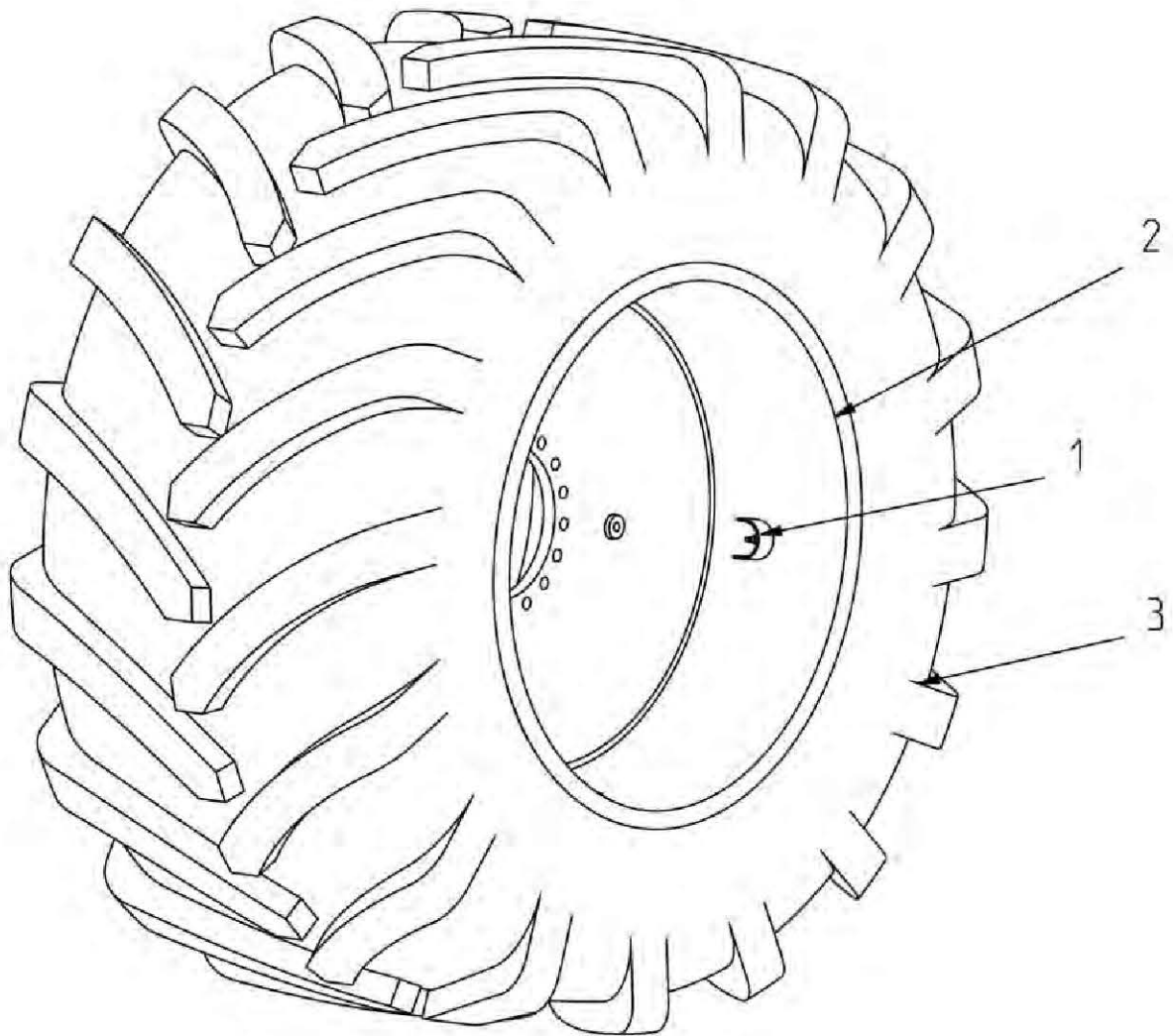
511222D1-05-W149



511222D1 - HUB GROUP

ITEM	PART NUMBER	QTY	DESCRIPTION COMMENTS	TECHNICAL SPECIFICATION
1	556990D1	1	COLLET PLATED	
2	AG516064	X	ANTI-SEIZE USE AS REQUIRED NOT SHOWN	
3	400080X1	12	FLAT WASHER	22MM X 35MM X 3.5MM
4	400272X1	12	HEXAGONAL HEAD BOLT	M20 X 2.5 X 80MM, CL12.9
5	402150X1	10	PLASTIC PLUG	
6	503430D1	1	CONE	

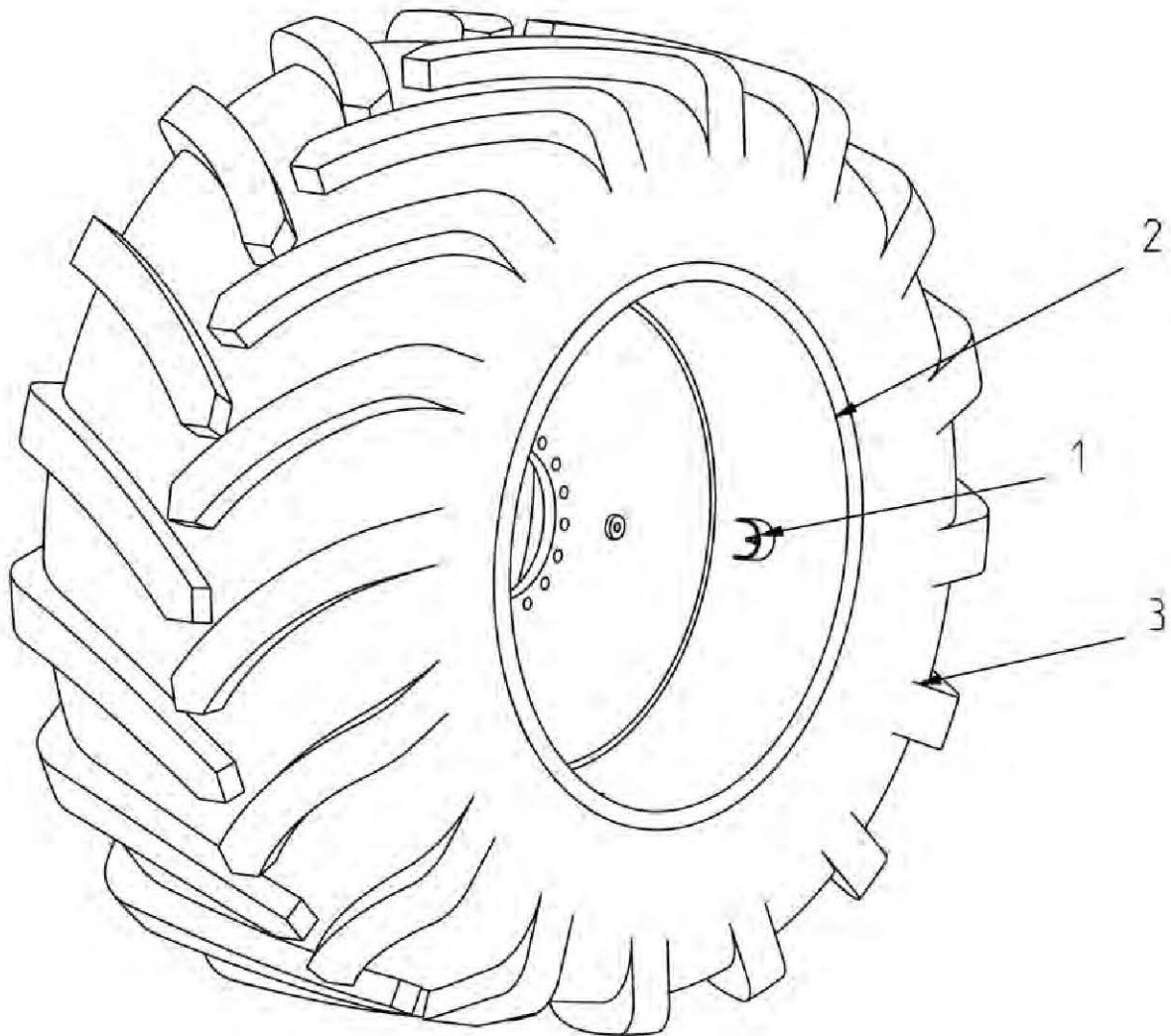
599472D1-2



599472D1 - WHEEL ASSEMBLY

ITEM	PART NUMBER	QTY	DESCRIPTION COMMENTS	TECHNICAL SPECIFICATION
			SERIAL NUMBER BREAK C0965CGNTF1004	
1	AG517766	1	VALVE STEM	AIR
2	525321D1	1	RIM	46 X LSW38
3	NS	1	NON-SERVICEABLE PART TIRE 1000 / 45R46	

599473D1-2



599473D1 - WHEEL ASSEMBLY

ITEM	PART NUMBER	QTY	DESCRIPTION COMMENTS	TECHNICAL SPECIFICATION
			SERIAL NUMBER BREAK C0965CGNTF1004	
1	AG517766	1	VALVE STEM	AIR
2	525321D1	1	RIM	46 X LSW38
3	NS	1	NON-SERVICEABLE PART TIRE 1000 / 45R46	